

**TUYCALDE S.L.**

TUBERÍA Y CALDERERÍA

**TALLERES NAVALES RUIZ, S.L.**



CONSTRUCCION Y REPARACION NAVAL E INDUSTRIAL



**TALLERES Y MONTAJES MOREIRA S.L.**

# **MONTAJES Y TALLERES RUIZ Y MOREIRA TUYCALDE**

## **English Version**

**Muelle Reparaciones Bouzas Parcela 10, 36208 Vigo P.O.B. 2096 SPAIN**

**Tph: 0034-986232325 / 986213725 Fax: 0034-986232962**

**Web: [www.talleresruiz.es](http://www.talleresruiz.es)**

**✉ EMail: [talleresruiz@talleresruiz.es](mailto:talleresruiz@talleresruiz.es) / [oftecnica@talleresruiz.es](mailto:oftecnica@talleresruiz.es) / [tuycalde@tuycalde.com](mailto:tuycalde@tuycalde.com)**

# Our History:

Talleres Navales Ruiz was born as a family business in 1912, dedicated to the manufacturing of vessel boilers and steam machines. Was founded by Mr. Emilio Ruiz (ancient soccer player at Real Club Fortuna of Vigo, lately our dear Real Club Celta), it was in 1992 when the company is acquired by Mr. Benito Moreira González, who already managed the company Montajes Moreira, founded in 1975, giving it a new impulse and adapting it to new market needs. From 2006 Talleres y Fundiciones Navales goes to swell the group of companies managed by Mr. Moreira under the name Tuyaalde.

Providing it for this with the technical and material resources required, as well as the approvals and certificates of all our products and services by ISO 9.001: 2000 by Bureau Veritas.

We own a high qualified Technical Office provided with the most advanced informatic software, either to drawings design, production management or calculations and planning.

## Approval Certificates:



# Headquarters



Technical Office (above) and Administration (below) where all the company work is managed, either the draw design and the manufacture process.



# Our Installations :



Our installations own a warehouse at parcel nº10 placed in the Bouzas' Repairing Dock with a surface of 1.530 m<sup>2</sup> and provided with two 16 Tn Derricks each one and another more of 5 Tn, used in blocks and big structures.

Its strategic emplacement allows to take out these mentioned structures either by sea or earth, because of this is also dedicated to vessels repairing.

We also have another warehouse of 2.700 m<sup>2</sup> placed at the Nº87 in Puxeiros-Peinador Road provided with three 5 Tn Bridge Cranes used in the manufacturing of pipes, boiler, windows and hatchways, gangways and accommodation ladders, machining, light boiler...

Our Offices, with 170 m<sup>2</sup> distributed between two floors, placed at our Headquarters in the Bouzas' Repairing Dock centralize the Management and Technical Department.

# Naval Boiler



Stern assembly of a construction

C/1645 Ferry "COTE DE ALBATRE"

C/1646 Ferry "SEVEN SISTER"

C/1650 Ferry "VOLCAN DE TABURIENTE"

Manufactured in our installations for Shipyard H.J. Barreras, with a total weight of 127 Tn each one. Were earth transported.

The strategic emplacement of our work center allows both earth or sea transportation for every block or structure we build.



**Double bottom C/600 block load handling at our work center and at the dock in front of it.**

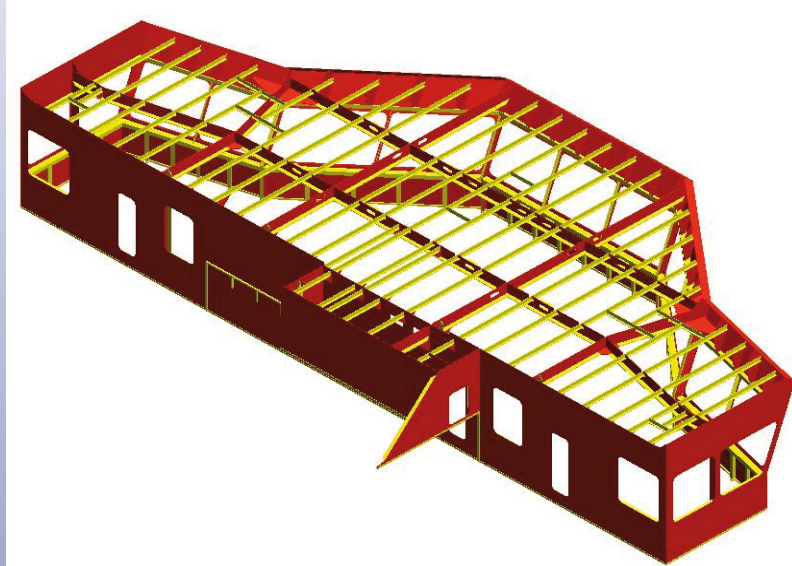
Double bottom block developed by our company for Shipyard C.N.P.Freire, that block was the keel laying of the oceanographic research vessel " Sarmiento de Gamboa", demanded by the "Xunta de Galicia" to Shipyard C.N.P. Freire, and whose godmother was Her Majesty The Queen Doña Sofia (30/01/2006).

The weight of the block was 72 Tn.



**During transport to shipyard.**

# Aluminum Naval Boiler



3D model of the steering bridge for C/1663 "Passio per Formentera"  
manufactured by shipyard H.J. Barreras.



Aluminum made block of the previous model out from our installations.

# Thonnier Vessels



Main mast, load feathers, hauler and brailing for thonnier vessels manufactured for Shipyard H. J. Barreras and Shipyard Armón Vigo in our installations, with a total height of 24 m and weight of 77 Tn each one.

C/1623 Albacora

C/1624 Albacora

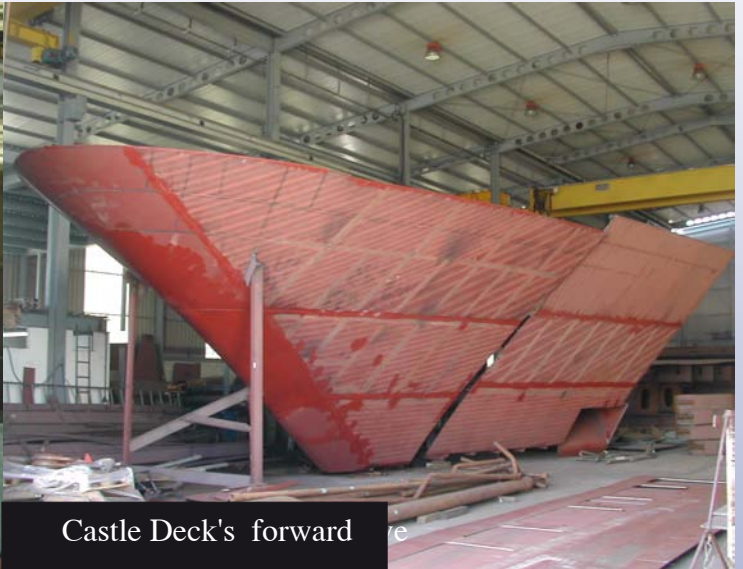
C/052 Armón Vigo.







Bulb forward at our installations

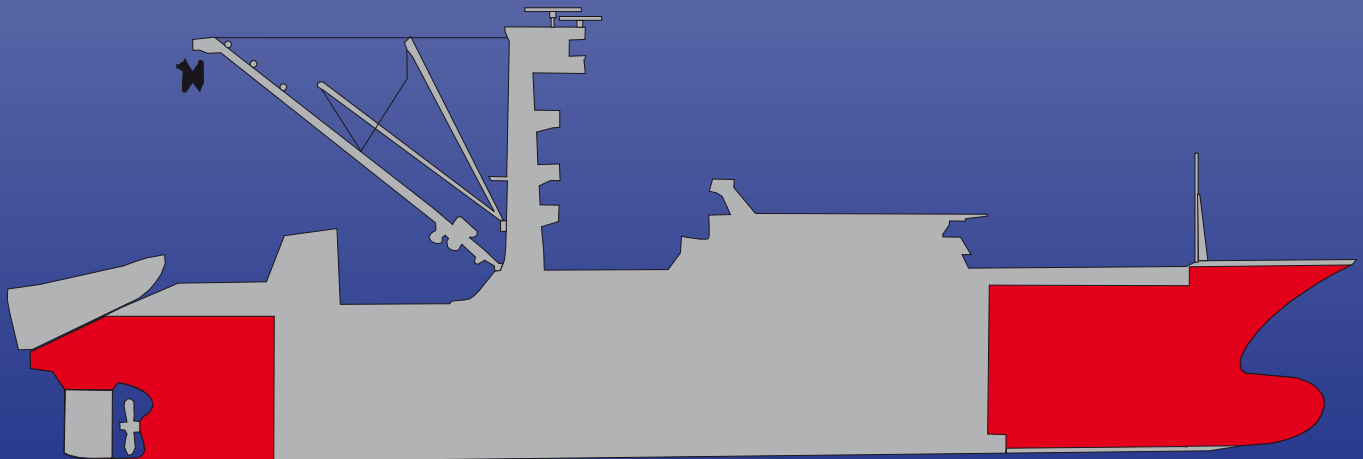


Castle Deck's forward

Manufacturing of seven shellplates belonging to the forward and stern of the Thonnier Vessel C/589 of Shipyard Armón Vigo. As shown in graphic. Plates and profiles were shaped by our staff.

Those mentioned blocks were transported from our installations by sea or earth at convenience of the shipyard.

Total weight of the seven blocks 382 Tn.



# Panga Boat

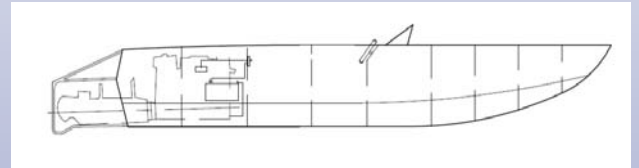
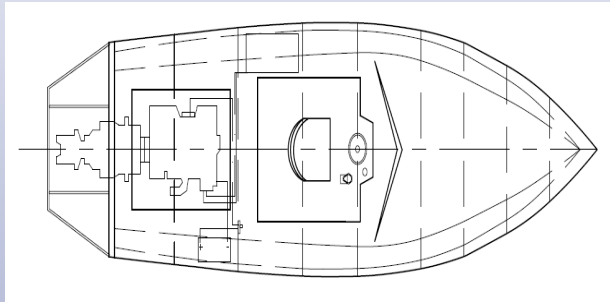


These Photos behave to the Panga ( Thonnier support boat ) manufactured in our installations, belonging to thonniér vessel "Playa de Azkorri" of Shipyard Murueta.

That Panga is supplied in different dimensions and technical characteristics attending to customer's request.



# Speed Boat

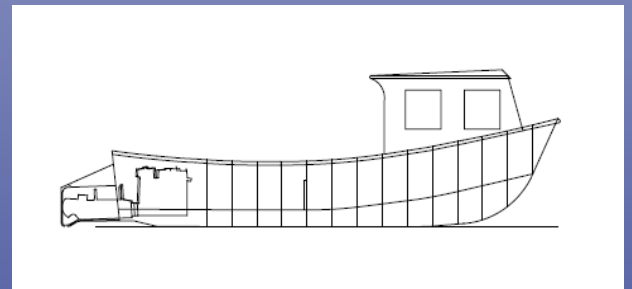
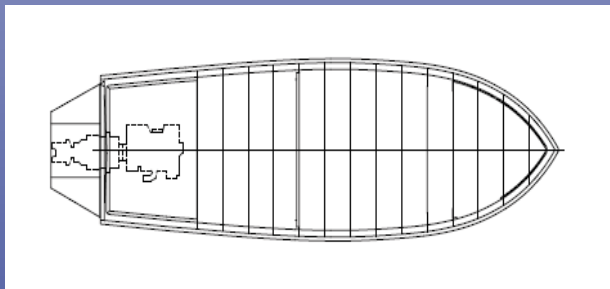


We manufacture aluminum Speed Boats for thonniars:

Standard Dimensions:

- Length: 5.7 m
- Width: 2 m
- Depth: 0.87 m

# Support Boat



We also manufacture different kinds of support boats fully made of anticorrosive marine aluminum.

These boats are used to provide additional service and support to thonniars.

# Development and Assembly in Factory

**TURNKEY BUDGETS**



Forward of the C/1626 Ferry "Timanfaya" manufactured by our company at Shipyard H.J. Barreras' installations, being one of the many already done.



Hull (until main deck) construction at shipway of the C/521 "Meixoeiro" manufactured for Shipyard M. Cies, manufacturing process consisted of develop partial blocks at our work center lately assembled at shipway.

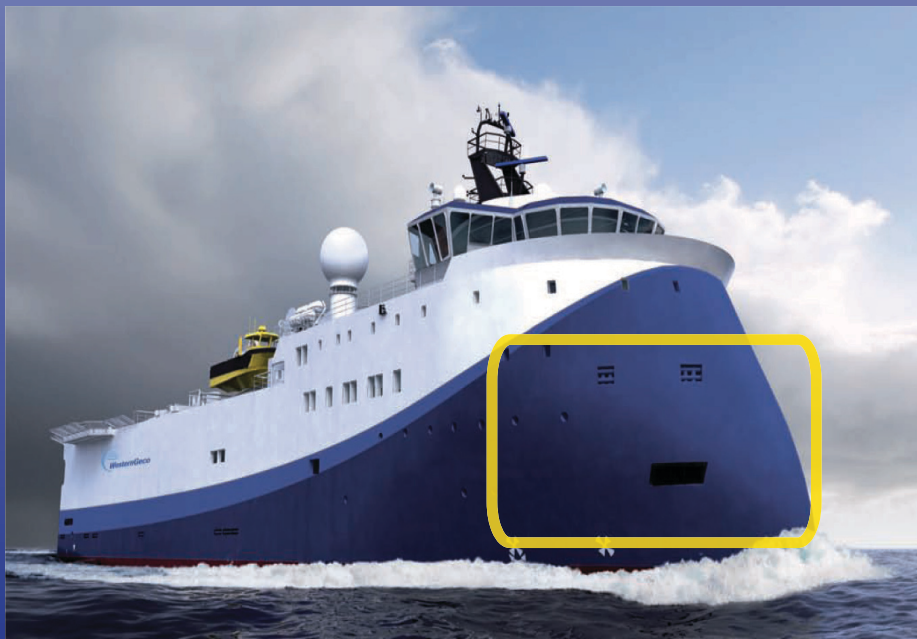
# Seismic Vessels



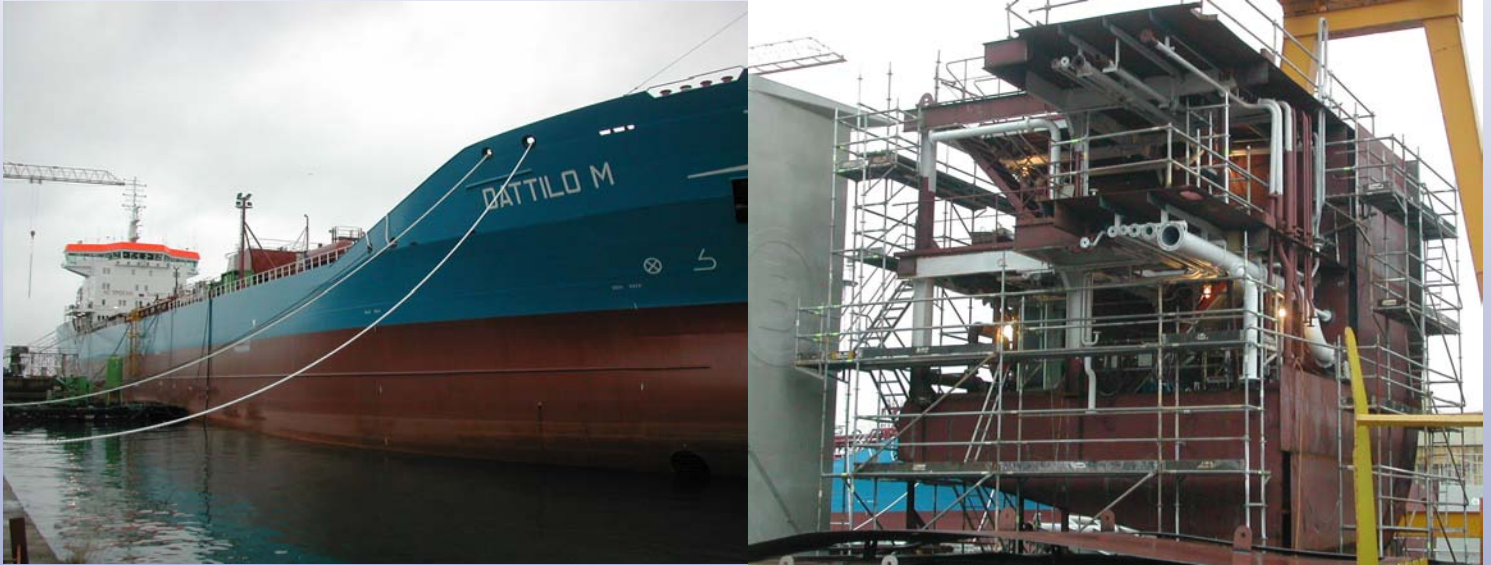
Manufactured block belonging to the Four Seismic Series at Shipyard

H.J. Barreras.

This particular photo behaves to C/1658 "WG Maguellan" manufactured in our installations and whose later slipway assembly was assumed by our company in its majority.



# Chemical Vessels



**Pipe installation before slipway erection.**

We are specialists in this kind of vessels, guaranteed by the skill started in 1999 jointly with Vulcano Factories.

The new market reality has led us to get involved in a "turnkey" budget politic that implies the following tasks:

- Engineering
- Fitting out
- Pipes delvelopment, boiler,...
- Pipeline assembly, boiler,... coordinatted by our attendants.

**Chimney C/478 F.Vulcano**



# Fitting out:



Into fitting out we develop, supply and assembly all kind of elements jointly with our customers , providing hull and superstructure "turnkey" budgets as for example vessel **C/1650 Volcán de Taburiente** of Shipyard **H.J.Barreras**.

Engine room of the vessel “**New Polar**” of **C.N.P.Freire** ordered by **Pescanova**.

Engine room of all the chemical vessels constructed at **Vulcano Factories**. As well as all the accommodation services for **Gonsusa** belonging to the Offshore vessels manufactured at **Vulcano Factories**.

- Stairs and Accommodation Ladders
- Foundations
- Handrails
- Ventilation Ducts and Grids
- Watertight Doors and Hatch Flaps
- Hand hole Flaps
- Depots (approved by Industry)
- Tanks
- Metallic Structures
- Car decks and Load Platforms, ...
- Gangways
- Different kinds of Machining
- Antenna Holders and Sheer Masts
- Light Masts

## Used Materials :

- Steel
- Stainless Steel (316 y 304)
- Galvanized
- Bronze and Brass
- Aluminum ...



# Pipes :



We manufacture and assembly pipe for all kind of installation:

- Engine Room
- Hydraulic Circuits
- Oil
- Thermal Oil
- Fuel
- Fresh and saltwater refrigeration
- Exhausts
- ...

Used Materials:

- Steel
- Stainless Steel
- CuNi

Treatments:

- Pickling and Lubrication
- Galvanized
- Zinc Coating
- Blasting and Painting

We dispose for this in our workshop placed at Peinador, which is dedicated to isometric and schematic pipes manufacturing , cold bending from 1/2" to 6", of two tube bendind machines TEJERO brand and one AMOB more, until those diametres.

We have specialized and approved staff in all kind of welding for each procedure required by the Classification Registry of the different European Countries.

We manage the certifications and radiographed according to standards.

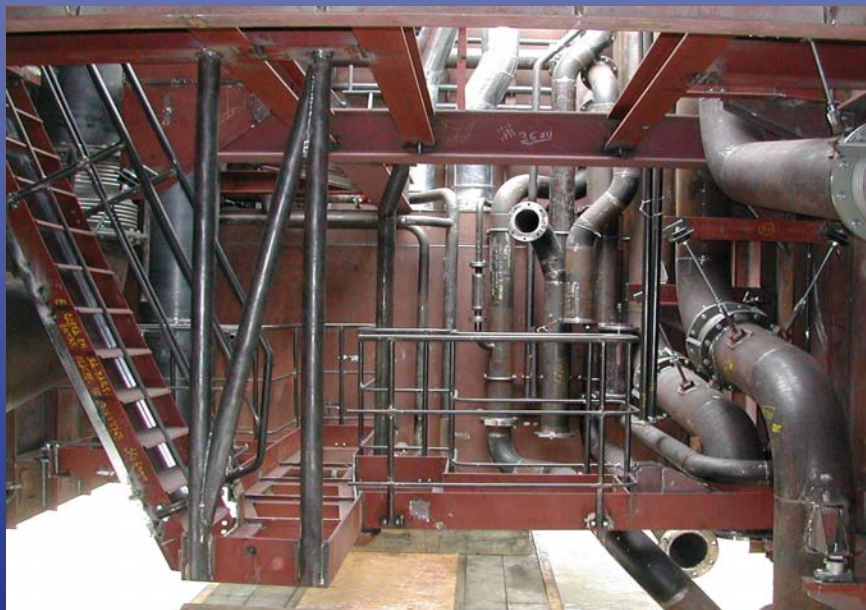
**COLD BENDING UNTIL 6"**

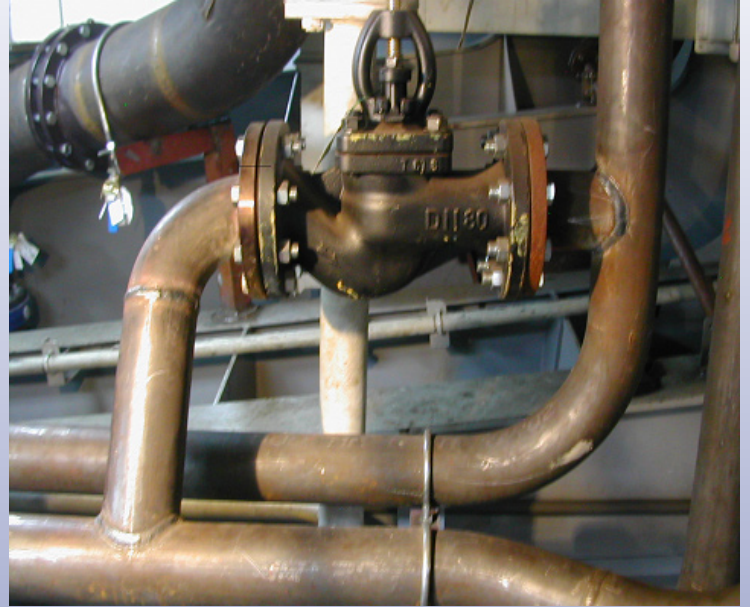
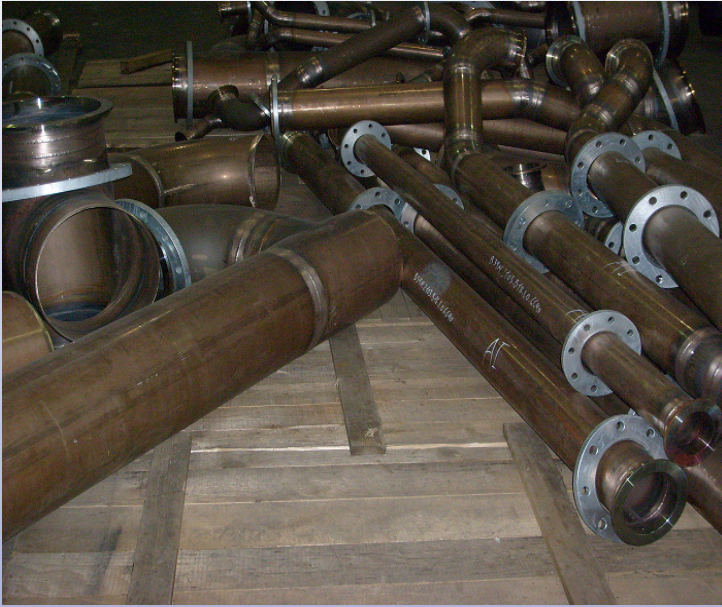




Above we can see a collector belonging to C/534 "PGS Apollo" of Factorias Vulcano S.A., manufactured in our work center. On the right we have the inert gas output assembled by our staff in C/490 "Dattillo M" of Shipyard Factorias Vulcano S.A..

In the picture below we have an example of block assembled pipe corresponding to C/492 "Cannoto M" of Factorias Vulcano S.A..

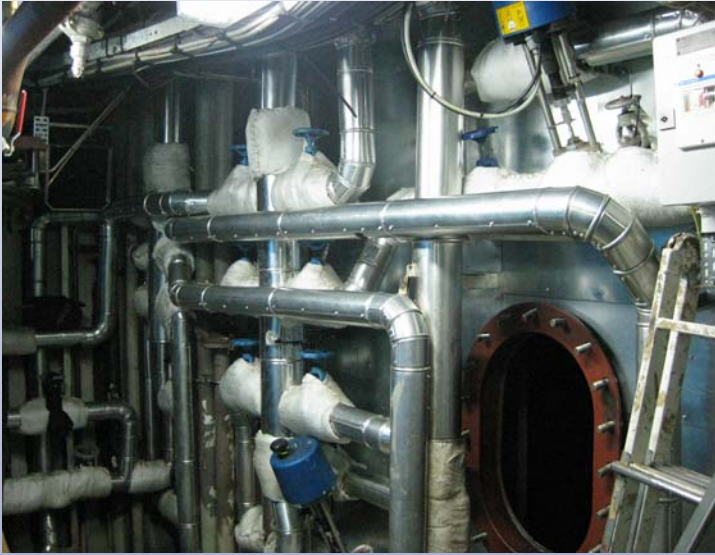




We also provide CuNiFe tube as shown in the picture on left top stored in our warehouse. On the right we see the pipe already assembled by our staff on board of vessel C/534 "PGS Apollo" belonging to Shipyard Factorias Vulcano S.A..



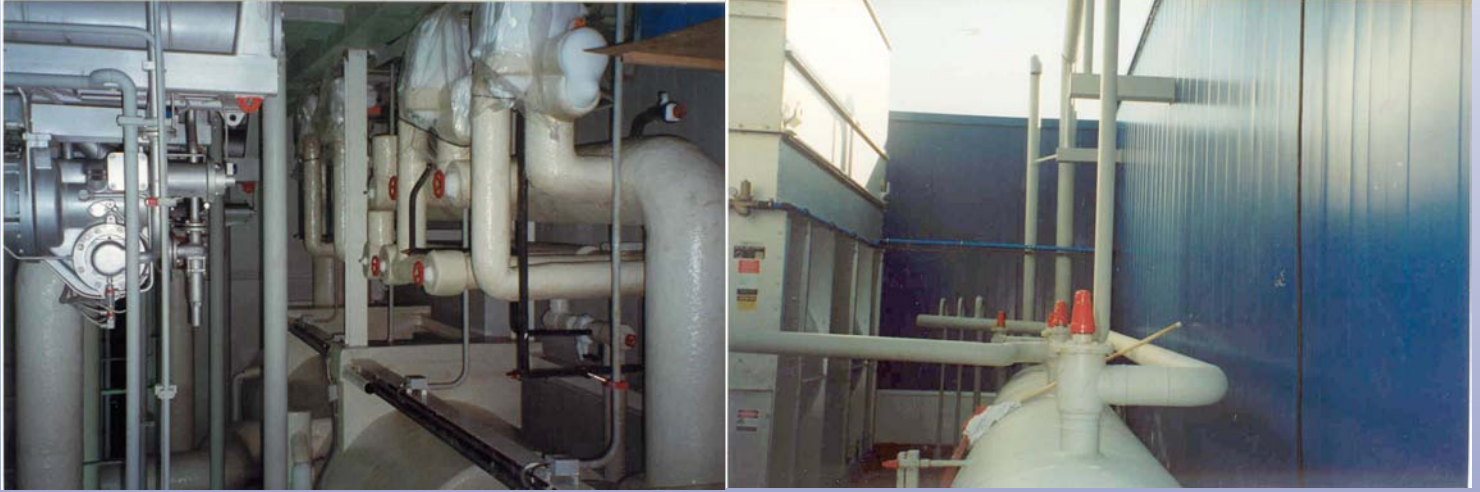
We dispose the necessary means and qualified personel to perform all type of welding process as the situation demands TIG, MIG, MAG, SAW, FCAW, RSW...



On the left the fuel station from tanks to engine of "PGS APOLLO" manufactured in our workcenter and assembled in the vessel for " Factorias Vulcano", on the right sea inlet and saltwater pipe belonging to the same vessel. On the image below we can see the assembly of Blucher Pipe used in sanitary discharge working by vacuum.



# Installations and Industrial Assemblies



Our huge skill englobe all kind of refrigeration installations, having collaborated with the sector's best companies, such as GRENCO IBERICA RAMON VIZCAINO - KINARCA - FRIMA and more.

Another refurbishment works were the Informatic Center of Caixa Nova, the enlargement of Povisa and Xeral Cies Hospital.

Out from Galicia we have executed the Furnace Steelmaking change in the Basque Country, ORBEGOZO - TUBO ACES (gathered tubes) -ALUMINA (anodes factory) in Lugo. Installations ordered in Libia to EXPLOSIVOS ALAVESES.

# Accommodation Ladders:



Accommodation ladder fully made of aluminum according to standard ISO 5488:1979.

Articulated Candlestick  
Stringer profile U 240x75x7 mm  
Struded Fixed Steps  
Aluminum Swinged Platform  
Moving Low Platform  
Stainless Steel Mechanisms

## Standard Dimensions

Lenght	6 m	5 m	4,5 m	4 m
--------	-----	-----	-------	-----

Useful Width 0,60 m

Fully made of marine aluminum according to standard ISO 7061:1993



We produce to order on every required dimension.

# Gangways



**Accommodation ladder fully made of aluminum according to standard ISO 7061:1993.**

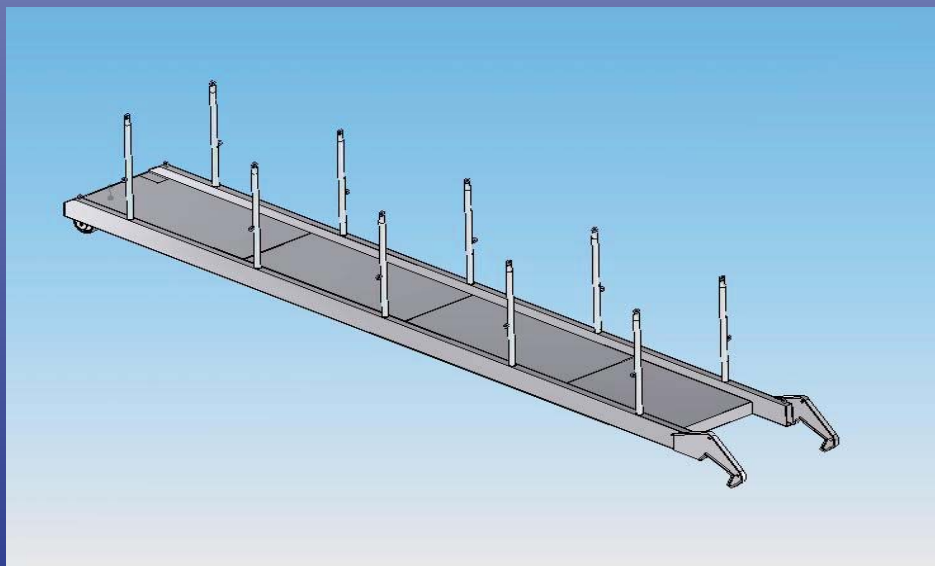
Detachable Candlesticks with tube of  $\varnothing 35$  mm  
Nylon Wheels or Roller (optional)  
Antislip Sheet Platform  
Stringers profile 170x50 mm  
Tack Hitch with 15 mm sheet  
It is delivered fully completed

## Standard Dimensions

Lenght	6 m	5 m	4,5 m	4 m
--------	-----	-----	-------	-----

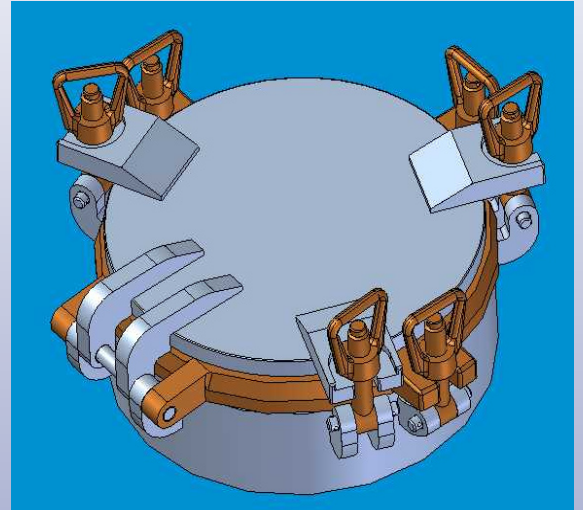
Useful Width 0,60 m

Fully made of marine aluminum according to standard ISO 7061:1993

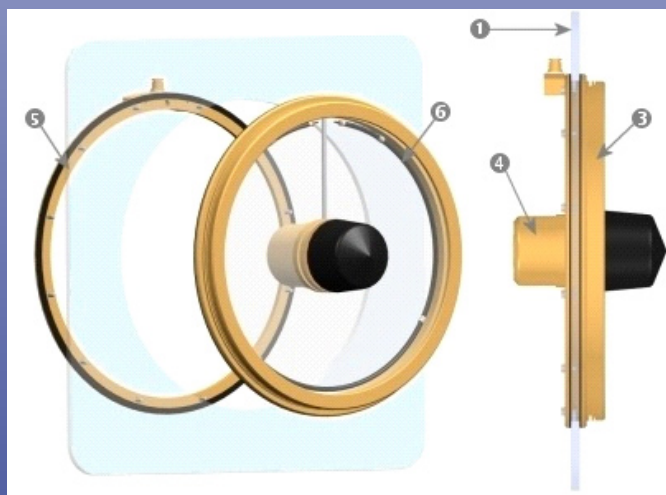


We produce to order on every required dimension, permanent stock.

# Hatchways and Windows

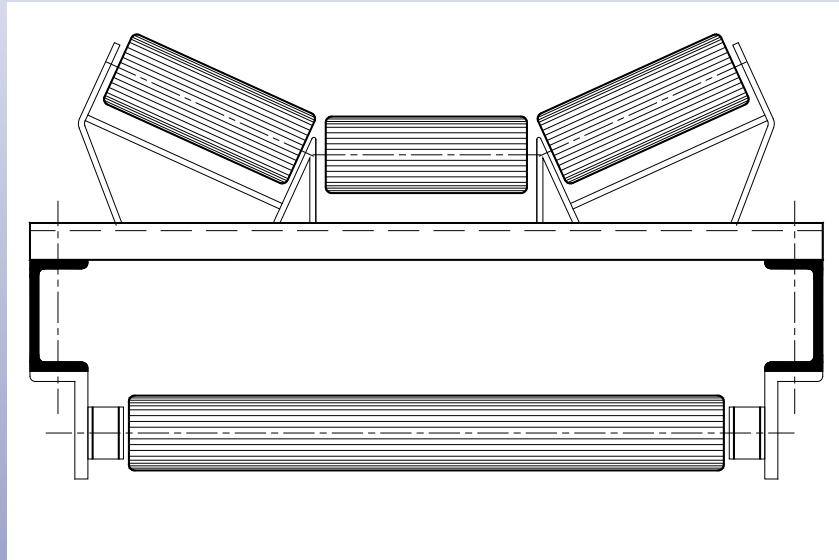


We produce windows and hatchways according to standards BSMA 24, 25 and ISO 3903, 1751 on standard dimensions and also accorded to order, as well as supply of Windscreen Wipers and Clear Views.



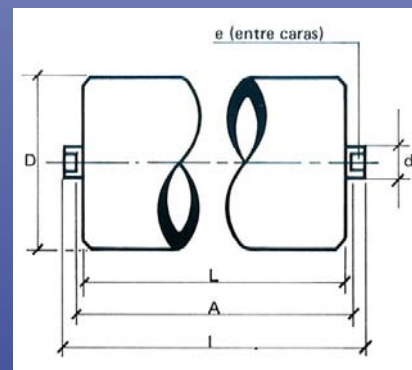
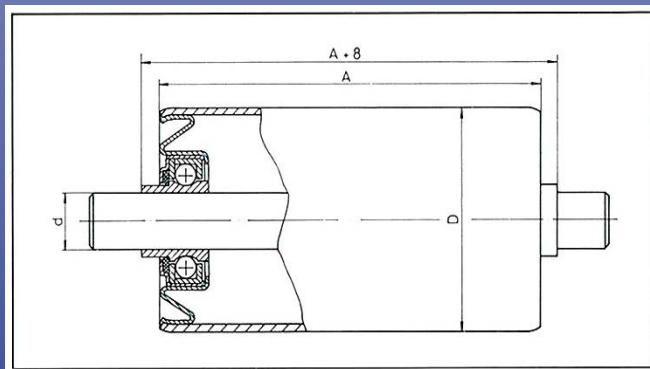
For more information and orders please visit our web site:  
[www.talleresruiz.es](http://www.talleresruiz.es)

# Rollers



We manufacture high performance rollers to all kind of applications as conveyor bands, minery, use in quarry...

Hihglights between our jobs the manufacture of rollers to the electrical company ENDESA.



We dispose of technical catalog of our rollers and installations.



# Repairings and Transformations.



Because of our emplacement at Bouzas' Repairings Dock jointly our time elongated skill in such a type of tasks we can take on every kind of vessel repairing or transformation.

1. We know such urgency and quickness jobs require.
2. We have qualified staff, taking on the control of all jobs accomplishing with all security legislation required by law.
3. Price and quality are guaranteed.

**TALLERES NAVALES RUIZ, S.L.**



CONSTRUCCION Y REPARACION NAVAL E INDUSTRIAL

**TUYCALDE S.L.**



TUBERÍA Y CALDERERIA



TALLERES Y MONTAJES MOREIRA S.L.

VIGO



**Muelle Reparaciones Bouzas Parcela 10, 36208 Vigo P.O.B. 2096 SPAIN**

**Tph: 0034-986232325 / 986213725 Fax: 0034-986232962**

**Web: [www.talleresruiz.es](http://www.talleresruiz.es)**

**✉ EMail: [talleresruiz@talleresruiz.es](mailto:talleresruiz@talleresruiz.es) / [oftecnica@talleresruiz.es](mailto:oftecnica@talleresruiz.es) / [tuycalde@tuycalde.com](mailto:tuycalde@tuycalde.com)**